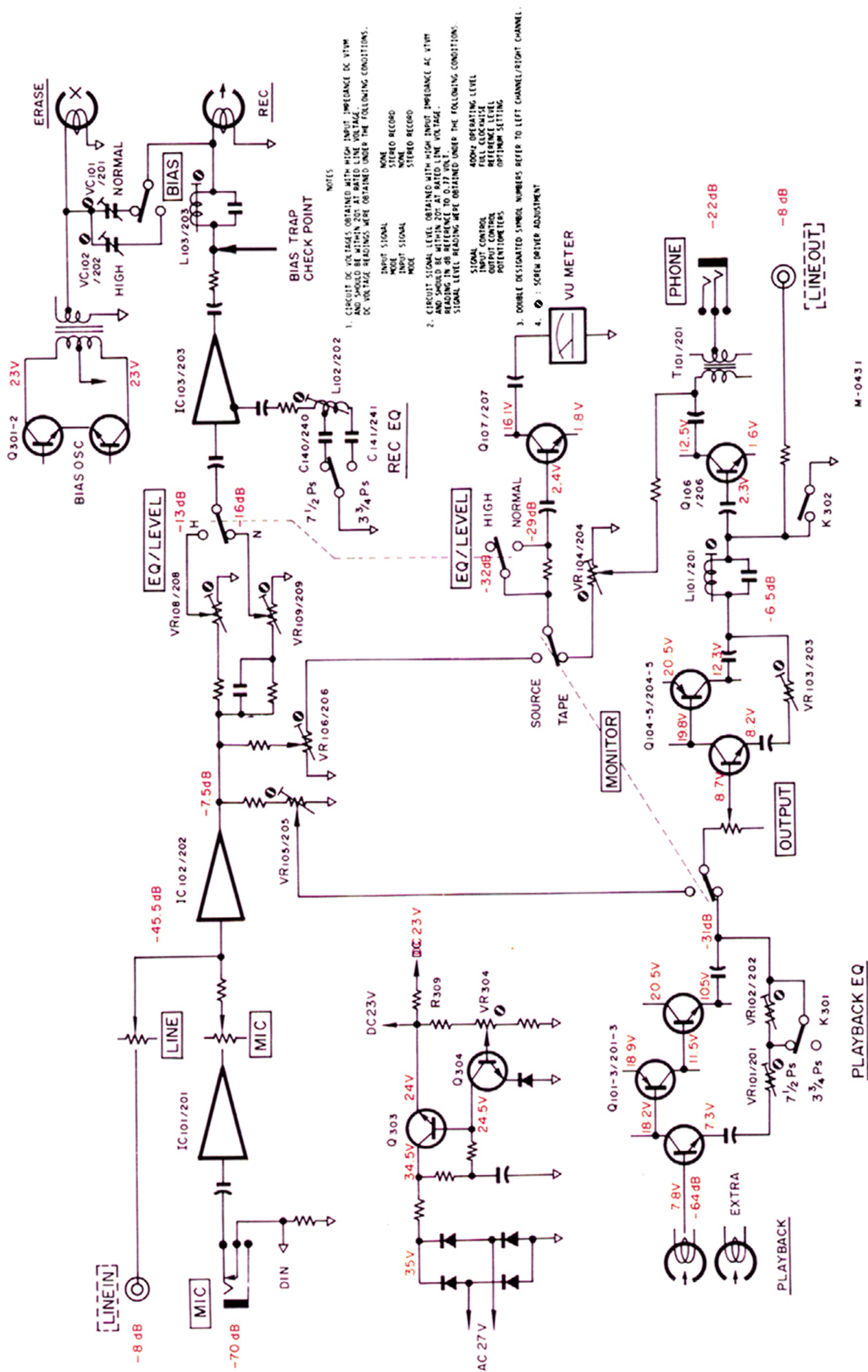


# TEAC A-7030 GSL

## SIMPLIFIER CIRCUIT DIAGRAM

### SIGNAL LEVEL AND DC VOLTAGE CHART



M-0431

PLAYBACK EQ